

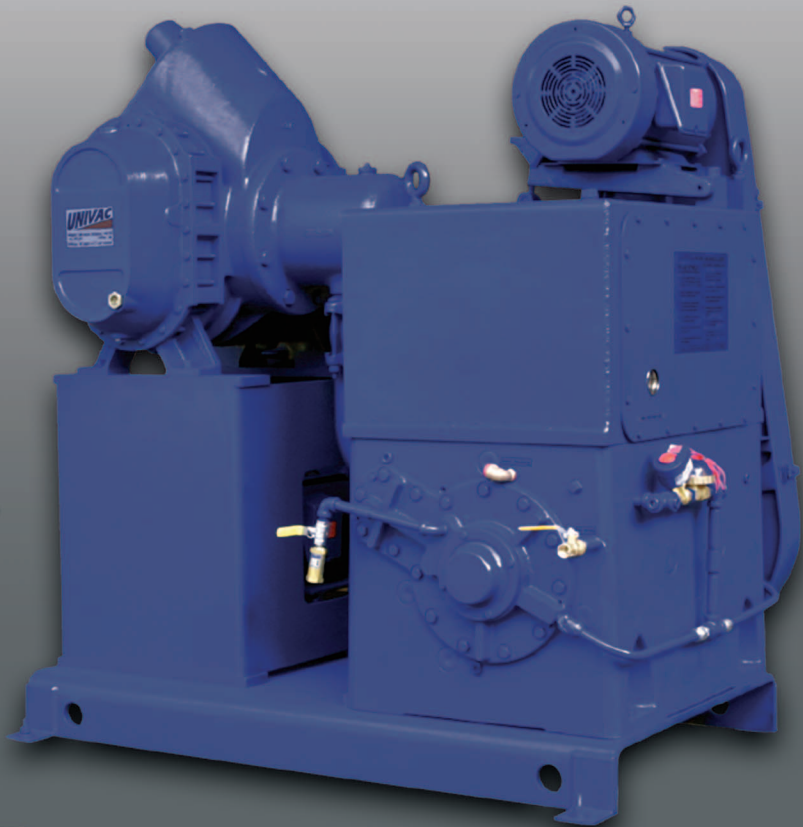
UNI-VAC

Model: 1700 Series

- **Cost Effective 1600 CFM Vacuum Pumping Package**
- **Integral Bypass On Blower Eliminates Need For Pressure Switch**
 - **Skid Mounted Turnkey Operation**
 - **Two Year Warranty**

APPLICATIONS:

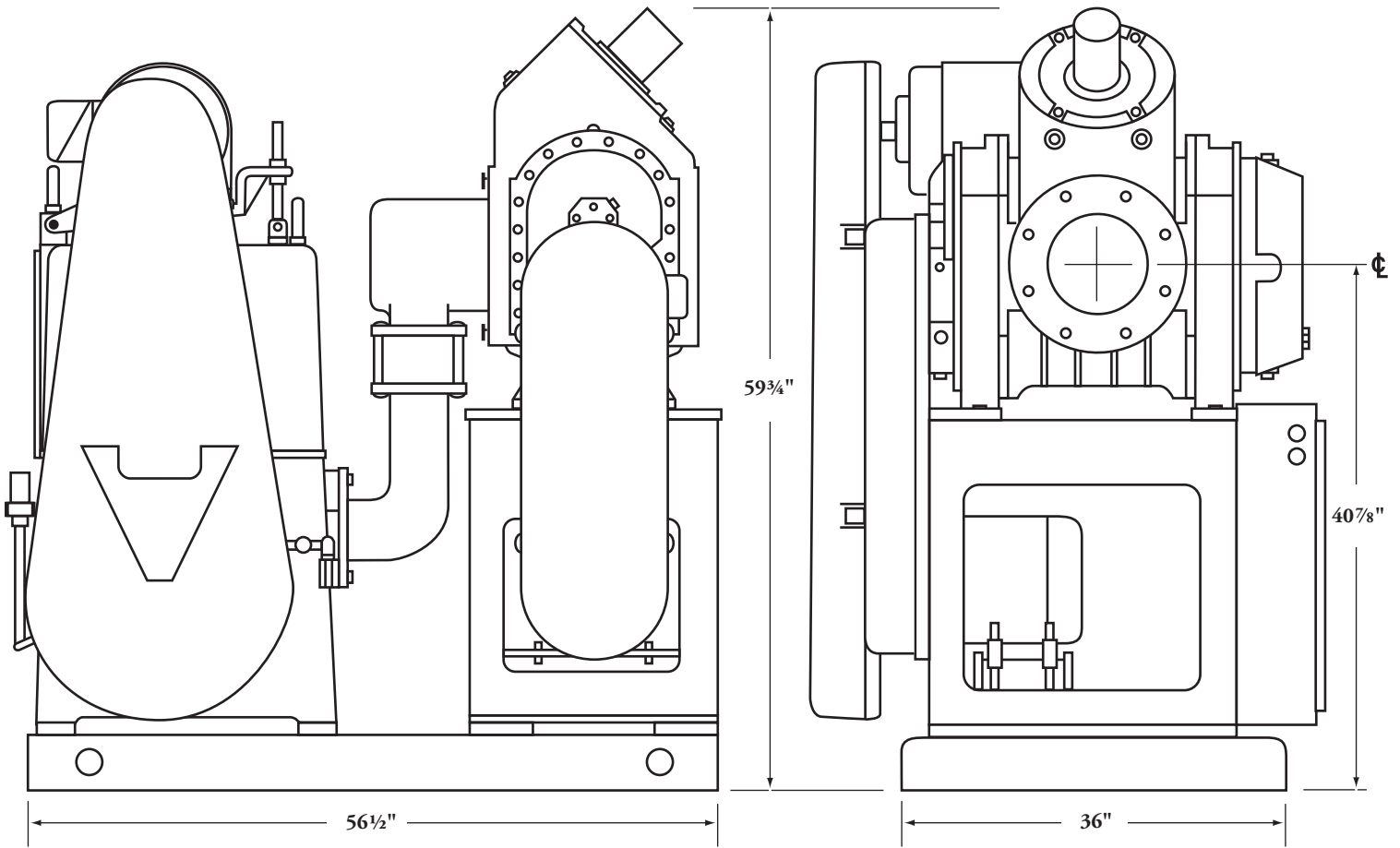
- **Vacuum Heat Treating**
- **Vacuum Brazing**
- **Vacuum Coating**
- **Transformer Drying**
- **Degasification Systems**
- **Shelf Drying**
- **Vacuum Casting**
- **E-Beam Welding**



UNITED VACUUM

NEW JERSEY - USA • TEL: 888-742-7202
www.unitedvacuum.com

Model: 1700 Series



1700 Series Specifications

Booster Displacement:1300 CFM
 Pump Displacement:300 CFM
 Pump Motor:10 HP 208/230/460V
 Booster Motor:7.5 HP 208/230/460V
 Weight:3950 lbs.
 Inlet (ASA Flange):8"
 Outlet (Female NPT):3"

